



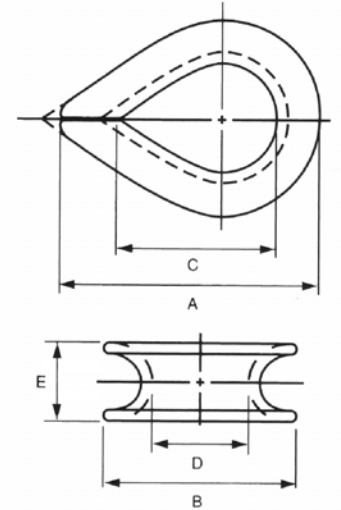
THIMBLES

Read important warnings and information in T.O.C. > GENERAL WARNINGS and THIMBLES ⚠️.

REGULAR WIRE ROPE THIMBLES - GALVANIZED

Meets the performance requirements of Federal Specification FF-T-276b, Type II.

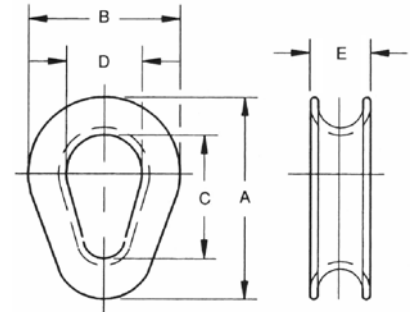
Size	Approx. Weight Each in Pounds	Dimensions in Inches				
		A	B	C	D	E
1/8"	.02	1.88	1.06	1.25	.69	.30
3/16"	.023	1.88	1.06	1.25	.69	.39
1/4"	.05	1.94	1.06	1.31	.69	.41
5/16"	.054	2.13	1.25	1.50	.81	.46
3/8"	.062	2.38	1.47	1.63	.94	.57
1/2"	.13	2.75	1.75	1.88	1.13	.72
5/8"	.22	3.50	2.38	2.25	1.38	.94
3/4"	.50	3.75	2.69	2.50	1.63	1.12
7/8"	.85	5.00	3.19	3.50	1.88	1.32
1"	1.00	5.69	3.75	4.25	2.50	1.38
1.1/8"-1.1/4"	1.75	6.25	4.31	4.50	2.75	1.75



HAWSER THIMBLES

Hot galvanized, Cast Alloy Steel

Size	Approx. Weight Each in Pounds	Dimensions in Inches				
		A	B	C	D	E
5/8" - 3/4"	3.5	6.7/8	4.1/2	5	3	1.3/16
7/8" - 1"	5.5	8.5/8	5.3/4	6.1/4	3.3/4	1.7/16
1.1/8" - 1.1/4"	10.5	10	6.5/8	7.1/8	4.3/16	1.11/16
1.3/8" - 1.1/2"	18.0	12.1/8	8	8.3/4	5	2.3/16
1.5/8" - 1.3/4"	23.5	12.3/4	8	9.1/4	5	2.7/16
1.7/8" - 2"	32.5	14.3/4	9.1/2	10.3/4	6	2.11/16
2.1/8" - 2.1/4"	51.0	17.1/8	11	12.1/2	7	3.1/8
2.3/8" - 2.1/2"	80.0	19.1/4	12.3/4	14.1/4	8.1/4	3.7/8
2.3/4" - 3"	135.0	24.1/2	17	15	9.3/8	4.15/16



SYNTHETIC ROPE THIMBLES

Hot Galvanized or Hot Galvanized and Painted.

Size Rope Diameter	Rope Circumference	Approx. Wt. Each in Pounds	Dimensions in Inches					
			A	B	C	D	E	F
2"-2.1/4"	6"-7"	10	9.25	6.00	3.85	2.75	2.75	3.39
2.5/8"	8"	18	11.00	6.50	4.25	3.00	3.12	3.75
3"	9"	23	12.00	7.63	4.75	3.25	3.50	4.00
3.1/4"	10"	29	13.50	8.50	5.00	3.50	3.88	4.25
3.3/8" - 4"	11"-12"	43	15.50	9.50	6.00	4.50	5.38	5.50
4.1/4" - 4.5/8"	13"-14"	52	17.00	10.00	6.13	5.25	5.75	6.00
5" - 5.1/4"	15"-16"	68	18.50	11.00	6.44	5.75	6.50	6.63
5.1/2" - 6"	17"-18"	98	20.12	13.12	9.00	6.09	6.09	7.00

