



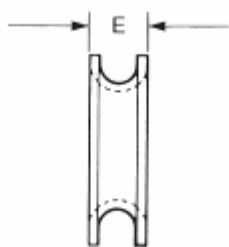
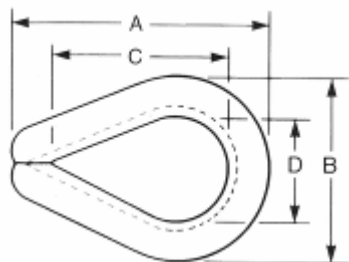
THIMBLES

Read important warnings and information in T.O.C. > GENERAL WARNINGS and THIMBLES ⚠️.

GALVANIZED HEAVY DUTY WIRE ROPE THIMBLES

Hot dip galvanized. Meets the performance requirements of Federal Specification FF-T-276b, Type III.

Size	Approx. Weight Each in Pounds	Dimensions in Inches				
		A	B	C	D	E
1/4"	.075	2.19	1.50	1.63	.88	.41
5/16"	.14	2.50	1.81	1.88	1.06	.50
3/8"	.25	2.88	2.13	2.13	1.13	.66
7/16"	.36	3.25	2.25	2.38	1.25	.75
1/2"-9/16"	.51	3.63	2.56	2.75	1.50	.84
5/8"	.75	4.25	3.00	3.25	1.75	1.00
3/4"	1.47	5.00	3.50	3.75	2.00	1.25
7/8"	1.85	5.50	4.00	4.25	2.25	1.38
1"	3.00	6.13	4.38	4.50	2.50	1.56
1.1/8"-1.1/4"	3.80	7.00	5.63	5.13	2.88	1.88
1.1/4"-1.3/8"	8.60	9.06	6.75	6.50	3.50	2.25
1.3/8"-1.1/2"	11.00	9.06	7.00	6.50	3.50	2.63
1.5/8"	11.80	11.25	8.13	8.00	4.00	2.72
1.3/4"	17.90	12.19	8.25	9.00	4.50	2.88
1.7/8"-2"	25.00	15.13	10.25	12.00	6.00	3.13
2.1/4"	45.00	17.13	11.88	14.00	7.00	3.63
2.1/2" *	63.50	22.25	12.75	17.50	8.00	4.38



*2.1/2" available with or without gusset plates.

STAINLESS HEAVY DUTY WIRE ROPE THIMBLES

TYPE 304 and 316.

Size	Approx. Weight Each in Pounds	Dimensions in Inches				
		A	B	C	D	E
1/8" **	.02	1.88	1.06	1.25	.69	.16
3/16"	.023	1.79	1.30	1.30	.76	.21
1/4"	.08	2.19	1.50	1.63	.88	.44
5/16"	.10	2.50	1.88	1.88	1.13	.50
3/8"	.25	2.88	2.09	2.12	1.13	.66
1/2"	.45	3.63	2.63	2.75	1.50	.88
5/8"	.68	4.25	3.09	3.25	1.75	1.00
3/4"	1.20	5.00	3.50	3.75	2.00	1.25
7/8"	1.85	5.66	4.19	4.31	2.25	1.50
1"	2.20	6.13	4.63	5.00	2.50	1.56
1.1/8"-1.1/4"	3.80	7.13	5.33	5.38	2.88	1.88
1.1/4"-1.3/8"	8.60	8.38	6.67	6.50	3.50	2.25

**1/8" available in REGULAR style and TYPE 304 only.



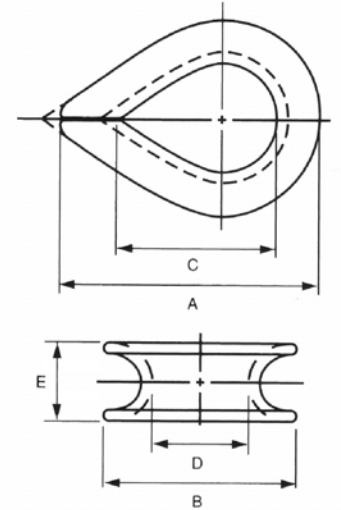
THIMBLES

Read important warnings and information in T.O.C. > GENERAL WARNINGS and THIMBLES ⚠️.

REGULAR WIRE ROPE THIMBLES - GALVANIZED

Meets the performance requirements of Federal Specification FF-T-276b, Type II.

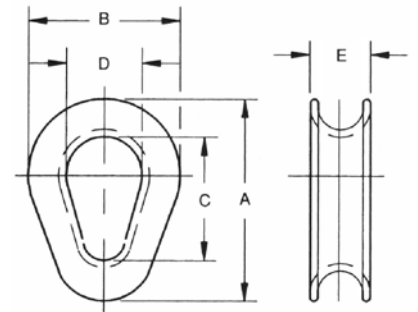
Size	Approx. Weight Each in Pounds	Dimensions in Inches				
		A	B	C	D	E
1/8"	.02	1.88	1.06	1.25	.69	.30
3/16"	.023	1.88	1.06	1.25	.69	.39
1/4"	.05	1.94	1.06	1.31	.69	.41
5/16"	.054	2.13	1.25	1.50	.81	.46
3/8"	.062	2.38	1.47	1.63	.94	.57
1/2"	.13	2.75	1.75	1.88	1.13	.72
5/8"	.22	3.50	2.38	2.25	1.38	.94
3/4"	.50	3.75	2.69	2.50	1.63	1.12
7/8"	.85	5.00	3.19	3.50	1.88	1.32
1"	1.00	5.69	3.75	4.25	2.50	1.38
1.1/8"-1.1/4"	1.75	6.25	4.31	4.50	2.75	1.75



HAWSER THIMBLES

Hot galvanized, Cast Alloy Steel

Size	Approx. Weight Each in Pounds	Dimensions in Inches				
		A	B	C	D	E
5/8"- 3/4"	3.5	6.7/8	4.1/2	5	3	1.3/16
7/8"- 1"	5.5	8.5/8	5.3/4	6.1/4	3.3/4	1.7/16
1.1/8"- 1.1/4"	10.5	10	6.5/8	7.1/8	4.3/16	1.11/16
1.3/8"- 1.1/2"	18.0	12.1/8	8	8.3/4	5	2.3/16
1.5/8"- 1.3/4"	23.5	12.3/4	8	9.1/4	5	2.7/16
1.7/8"- 2"	32.5	14.3/4	9.1/2	10.3/4	6	2.11/16
2.1/8"- 2.1/4"	51.0	17.1/8	11	12.1/2	7	3.1/8
2.3/8"- 2.1/2"	80.0	19.1/4	12.3/4	14.1/4	8.1/4	3.7/8
2.3/4"- 3"	135.0	24.1/2	17	15	9.3/8	4.15/16



SYNTHETIC ROPE THIMBLES

Hot Galvanized or Hot Galvanized and Painted.

Size Rope Diameter	Rope Circumference	Approx. Wt. Each in Pounds	Dimensions in Inches					
			A	B	C	D	E	F
2"-2.1/4"	6"-7"	10	9.25	6.00	3.85	2.75	2.75	3.39
2.5/8"	8"	18	11.00	6.50	4.25	3.00	3.12	3.75
3"	9"	23	12.00	7.63	4.75	3.25	3.50	4.00
3.1/4"	10"	29	13.50	8.50	5.00	3.50	3.88	4.25
3.3/8"- 4"	11"-12"	43	15.50	9.50	6.00	4.50	5.38	5.50
4.1/4"- 4.5/8"	13"-14"	52	17.00	10.00	6.13	5.25	5.75	6.00
5" - 5.1/4"	15"-16"	68	18.50	11.00	6.44	5.75	6.50	6.63
5.1/2" - 6"	17"-18"	98	20.12	13.12	9.00	6.09	6.09	7.00

