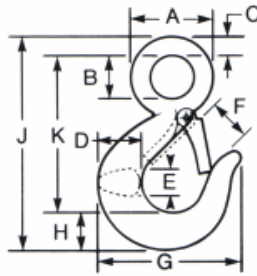




EYE HOOKS

CAUTION: NEVER EXCEED THE WORKING LOAD LIMIT.
 Read important warnings and information in T.O.C. > GENERAL WARNINGS and HOOKS ⚠️



Carbon or Alloy steel, forged, heat-treated, painted, with latch installed or without.

Some sizes also available in DOMESTIC

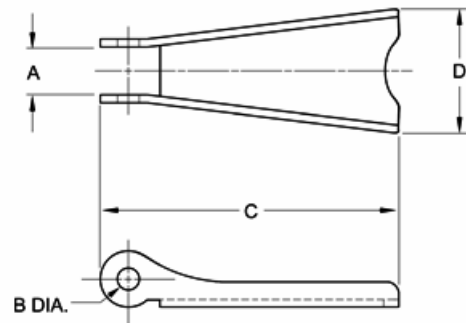
Size (WLL)*		Dimensions in inches										Approximate Weight Each with Latch in Pounds
Carbon	Alloy	A	B	C	D	E	F	G	H	J	K	
**3/4 Ton	1 Ton	1.50	.75	.38	.88	.63	.94	2.88	.75	4.38	3.25	.6
**1	1.1/2	1.75	.88	.44	1.00	.69	1.06	3.13	.81	4.88	3.63	.82
**1.1/2	2	2.00	1.13	.44	1.19	.81	1.06	3.50	1.00	5.50	4.13	1.44
2	3	2.38	1.25	.59	1.38	.94	1.22	3.94	1.19	6.31	4.56	1.94
3	5	3.00	1.56	.69	1.63	1.19	1.50	5.00	1.50	7.94	5.75	3.94
5	7	3.81	2.00	.88	2.06	1.50	1.88	6.25	1.75	10.00	7.38	7.75
7.1/2	11	4.69	2.44	1.13	2.63	1.63	2.25	7.56	2.25	12.44	9.06	15.4
—	15	5.37	2.84	1.26	2.94	2.19	2.51	8.30	2.59	13.93	10.07	22.2
—	22	6.64	3.50	1.58	3.50	2.69	3.30	10.3	3.00	17.06	12.50	37.6

* Working Load Limit applies only when the load is applied to the center of the saddle of the hook.

** 3/4, 1, 1.1/2, and 2 Ton Carbon Steel Hooks also available in Hot Galvanized.

STAINLESS LATCH KITS

Hook Size		Approximate Weight Each in Pounds	Dimensions (in)			
Carbon	Alloy		A	B	C	D
3/4 Ton	1 Ton	.02	.44	.16	1.44	.59
1	1.1/2	.02	.44	.16	1.70	.59
1.1/2	2	.03	.45	.17	1.84	.77
2	3	.03	.47	.17	2.00	.82
3	5	.05	.56	.19	2.41	1.00
5	7	.09	.58	.20	2.97	1.21
7.1/2	11	.17	.59	.27	3.66	1.50
10	15	.25	.66	.27	3.69	1.52
—	22	.75	.78	.27	3.86	1.59



SORTING HOOK

CAUTION: NEVER EXCEED THE WORKING LOAD LIMIT. ⚠️
 Read important warnings and information in T.O.C. > GENERAL WARNINGS and HOOKS

Forged alloy steel, heat treated, painted.

Working Load Limit 2.1/2" from tip	2 Tons
Working Load Limit, at bottom	7.1/2 Tons
Approximate Weight Each	7.75 Pounds
Overall Length	L 9.69"
I.D. of Eye	A 1.38"
Opening at top of Hook	O 2.81"
Radius at Bottom of Hook	R .63"

