



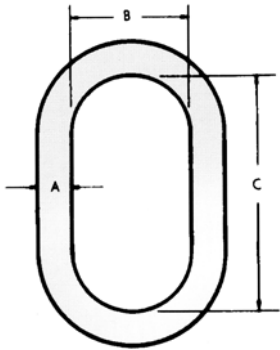
KULKONI / *CM MIDLAND* DOMESTIC FITTINGS



HERC-ALLOY 1000 CHAIN ATTACHMENTS GRADE 100 — PROOF TESTED

CAUTION: NEVER EXCEED WORKING LOAD LIMITS

CM OBLONG MASTER LINK - PROOF TESTED

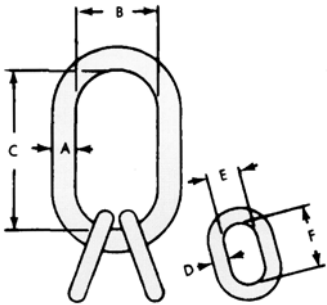


Product Code	Working Load Limit (lbs.)*†	Link Size (inches)			Type & Size of Chain Sling on which Used				Weight Each (lbs.)
		Diameter Material A	Inside Width B	Inside Length C	Single Type S & C	Double Type D	Triple Type T	Quad Type Q	
555252	8,600	1/2	2.1/2	5	9/32	7/32	7/32	7/32	.8
555235	17,600	3/4	2.3/4	5.1/2	3/8	9/32	9/32	9/32	2.1
555238	30,000	1	3.1/2	7	1/2 or 5/8	3/8	3/8	3/8	4.6
555240	45,200	1.1/4	4.3/8	8.3/4	3/4	1/2	1/2	1/2	9.2
555243	70,600	1.1/2	5.1/4	10.1/2	-	5/8	5/8	5/8	15.7
555246	105,900	1.3/4	6	12	-	3/4	3/4	3/4	24.5

† Working load limit of master link only.

CM OBLONG MASTER LINK SUB ASSEMBLY** - PROOF TESTED

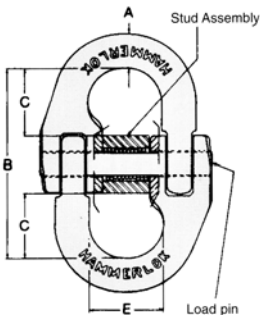
For triple and quad branch chain slings



Product Code	Oblong Master Link Size (in.)			Master Coupling Link Size (in.)			HA Chain (in.)	Weight (lbs.)
	A	B	C	D	E	F		
555275	3/4	2.3/4	5.1/2	15/32	7/8	1.9/16	9/32	2.6
555276	1	3.1/2	7	21/32	1.1/4	2.1/4	3/8	6.1
555277	1.1/4	4.3/8	8.3/4	29/32	1.3/4	3.1/8	1/2	13.3
555278	1.1/2	5.1/4	10.1/2	1.5/32	2.1/4	4	5/8	24.3
555279	1.3/4	6	12	1.9/32	2.3/8	4.3/8	3/4	36.1

** Consisting of oblong master link and two welded master coupling links

CM HAMMERLOK® COUPLING LINK - PROOF TESTED



Chain Size (in.)	Working Load Limit (lbs.)	Dimensions (inches)						Weight Each (lbs.)
		A	B	C	E†	Max. Width	Diameter Hole to Accept Male Leg	
9/32	4,300	5/16	1.13/16	5/8	1/2	1.11/16	35/64	.23
3/8	8,800	1/2	2.13/32	53/64	3/4	2.7/32	47/64	.65
1/2	15,000	11/16	3.3/8	1.7/32	1	3.1/8	59/64	1.5
5/8	22,600	13/16	4.1/16	1.1/2	1.1/4	3.11/16	1.1/16	2.6
3/4	35,300	15/16	4.25/32	1.51/64	1.1/2	4.5/16	1.1/4	3.8

† Diameter of stock of largest master link intended to be used with Hammerlok

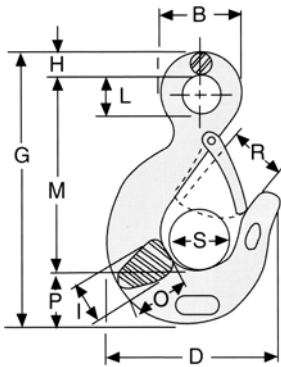
KULKONI / CM MIDLAND
DOMESTIC FITTINGS



HERC-ALLOY 1000 CHAIN ATTACHMENTS
 GRADE 100 — PROOF TESTED

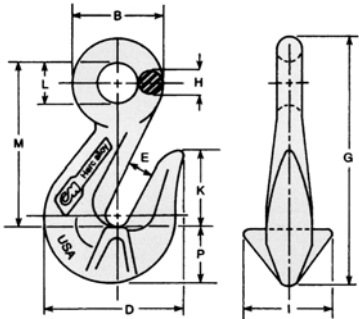
CAUTION: NEVER EXCEED WORKING LOAD LIMITS

CM SLING HOOK WITH LATCH - 100% PROOF TESTED



Chain Size (in.)	Working Load Limit (lbs.)	Dimensions (inches)										
		B	D	G	H	I	L	M	O	P	R	S
9/32	5,700	1.63	3.50	5.25	.44	.73	.75	3.75	1.20	1.05	1.06	1.06
3/8	8,800	2.06	4.34	6.64	.56	.95	.94	4.78	1.45	1.28	1.31	1.31
1/2	15,000	2.63	5.50	8.16	.75	1.17	1.13	5.69	1.94	1.66	1.56	1.63
5/8	22,600	3.06	6.34	9.66	.88	1.44	1.31	6.50	2.38	2.19	1.75	1.75
3/4	35,300	3.50	7.83	11.38	1.00	1.69	1.50	7.81	2.83	2.51	2.19	2.19

CM HERC-ALLOY 1000 CRADLE GRABHOOK - 100% PROOF TESTED
 Made in U.S.A.



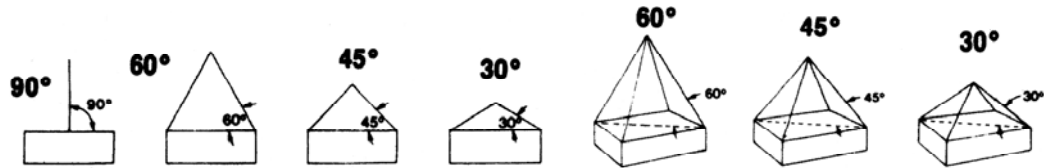
Chain Size (in.)	Working Load Limit (lbs.)	Dimensions											Weight Each (lbs.)
		B	D	E	G	H	I	K	L	M	P		
9/32	4,300	1.38	1.91	.36	3.70	.38	1.06	1.04	.63	2.56	.76	.55	
3/8	8,800	1.78	2.66	.47	4.81	.50	1.38	1.49	.78	3.28	1.04	1.39	
1/2	15,000	2.28	3.41	.59	6.19	.63	1.81	1.98	1.03	4.22	1.51	3.05	
5/8	22,600	2.75	4.41	.75	7.62	.75	2.13	2.39	1.25	5.06	1.80	4.36	
3/4	35,300	3.19	5.23	.88	8.99	.88	2.88	3.50	1.44	6.25	1.88	8.82	

DOMESTIC G100 CHAIN & FITTINGS

CAUTION: NEVER EXCEED WORKING LOAD LIMITS

DOMESTIC GRADE 100 CHAIN SIZES AND WORKING LOAD LIMITS

GRADE 100 — PROOF TESTED

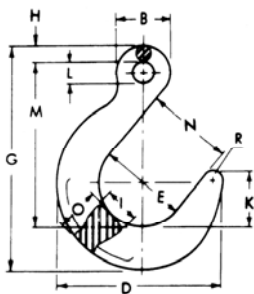


Working Load Limits (lbs.)



Chain Size (IN.)	(MM)	Single				Triple & Quad		
		90°	60°	45°	30°	60°	45°	30°
9/32	7.0	4,300	7,400	6,100	4,300	11,200	9,100	6,400
3/8	10.0	8,800	15,200	12,400	8,800	22,900	18,700	13,200
1/2	13.0	15,000	26,000	21,200	15,000	39,000	31,800	22,500
5/8	16.0	22,600	39,100	32,000	22,600	58,700	47,900	33,900
3/4	20.0	35,300	61,100	49,900	35,300	91,700	74,900	53,000

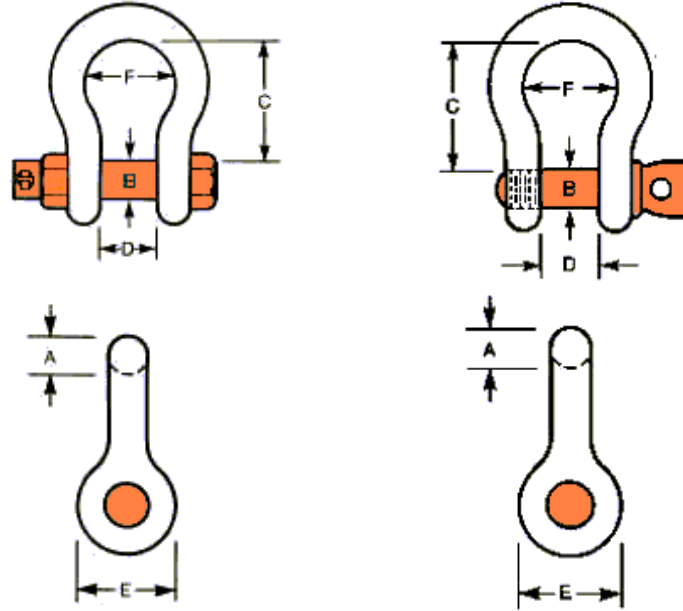
Chain Size		Nominal Dimensions (Inches)		Approx. No. Links per Foot	Approx. Weight Per 100 Ft. (lbs.)	Feet per Drum
(IN.)	(MM)	Length Inside	Inside Width			
9/32	7.0	868	.380	13.8	73.1	500
3/8	10.0	1.181	.512	9.8	148.0	500
1/2	13.0	1.535	.688	8.5	255.0	300
5/8	16.0	1.890	.819	6.9	383.0	200
3/4	20.0	2.362	1.024	5.5	625.0	100



CM FOUNDRY HOOK—G80 & G100—100% PROOF TESTED

Chain Size (in.)	Working Load Limit G-80	Working Load Limit G-100	Dimensions (in.)													Weight Each (lbs.)
			B	D	E	G	H	I	K	L	M	N	O	R		
9/32	3,500	5,700	1.56	4.75	2.50	6.45	.47	1.00	1.56	.63	4.75	2.50	1.23	.25	2.4	
3/8	7,100	8,800	2.00	5.75	3.00	7.88	.63	1.27	1.88	.75	5.75	3.00	1.50	.31	4.5	
1/2	12,000	15,000	2.50	6.75	3.50	9.38	.75	1.50	2.22	1.00	6.88	3.50	1.75	.37	7.1	
5/8	18,100	22,600	3.00	7.81	4.00	10.97	.88	1.81	2.63	1.25	8.06	4.00	2.03	.43	11.6	
3/4	28,300	35,300	3.50	9.13	4.50	12.81	1.00	2.20	3.00	1.50	9.25	4.50	2.56	.50	20.0	
7/8	34,200	-	4.00	10.14	5.00	14.23	1.13	2.25	3.38	1.75	10.38	5.00	2.78	.56	26.0	
1	47,700	-	4.50	11.13	5.50	15.84	1.25	2.59	3.75	2.13	11.56	5.50	3.03	.62	36.8	
1.1/4	72,300	-	5.13	12.84	6.00	18.03	1.38	3.17	4.25	2.38	12.88	6.00	3.81	.75	58.4	

KULKONI / *CM MIDLAND* DOMESTIC FITTINGS



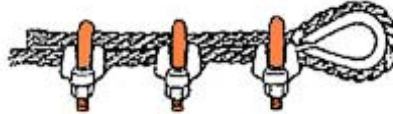
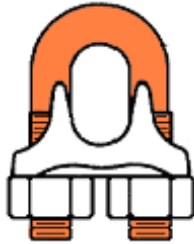
GALVANIZED SCREW PIN ANCHOR SHACKLES GALVANIZED BOLT TYPE ANCHOR SHACKLES

Size (A)	Working Load Limit in Tons	Pin Diam. In Inches (B)	Approx. Weight Each in Pounds	Dimensions in Inches			
				C	D	E	F
3/16"	1/3	1/4	.05	.88	.38	.56	.63
1/4"	1/2	5/16	.13	1.06	.47	.66	.75
5/16"	3/4	3/8	.21	1.25	.53	.81	.84
3/8"	1	7/16	.33	1.44	.63	.97	1.00
7/16"	1.1/2	1/2	.47	1.69	.75	1.06	1.13
1/2"	2	5/8	.76	1.88	.81	1.31	1.25
5/8"	3.1/4	3/4	1.44	2.44	1.06	1.56	1.69
3/4"	4.3/4	7/8	2.3	2.88	1.19	1.88	1.94
7/8"	6.1/2	1	3.5	3.38	1.44	2.13	2.19
1"	8.1/2	1.1/8	5.0	3.81	1.69	2.38	2.63
1.1/8"	9.1/2	1.1/4	7.0	4.25	1.75	2.63	2.88
1.1/4"	12	1.3/8	9.5	3.97	2.00	2.91	3.13
1.3/8"	13.1/2	1.1/2	13.0	5.31	2.13	3.25	3.50
1.1/2"	17	1.5/8	16.5	5.69	2.31	3.50	3.75
1.3/4"	25	2	29.0	7.06	2.88	4.25	4.88
2"	35	2.1/4	43.0	7.75	3.31	4.88	5.44

**NOTE: Working Load limits equal to industry standard not to CM higher ratings.
Never Exceed working load limits.**



KULKONI / *CM MIDLAND* DOMESTIC FITTINGS



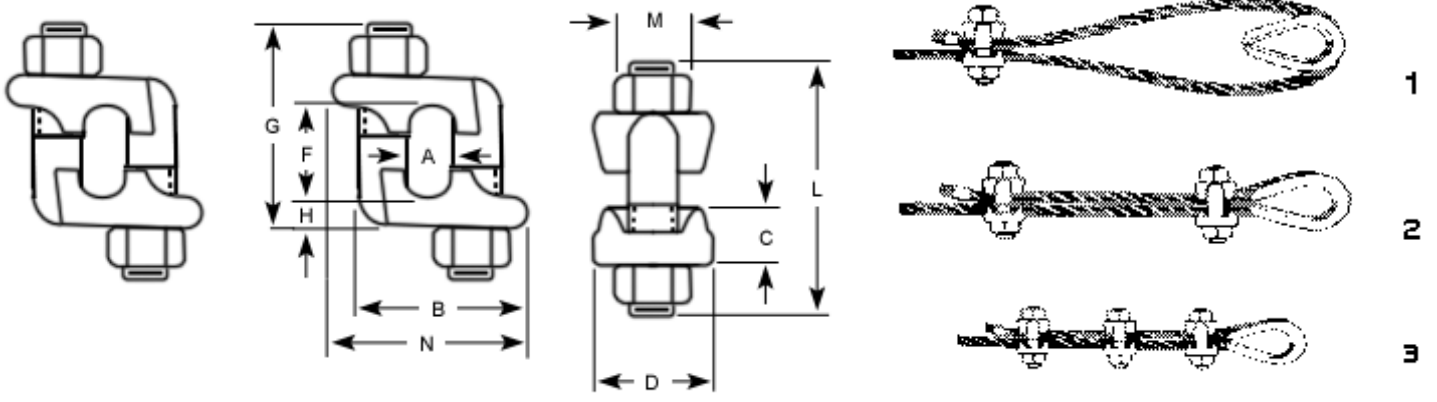
DROP FORGED WIRE ROPE CLIPS

Size	Min. Number of Clips Required	Amount of Wire Rope to Turn Back	Torque in lbs. ft.*	Approx. Weight Each in Pounds
1/8"	2	3.1/4"	4.5	.05
3/16"	2	3.3/4"	7.5	.10
1/4"	2	4.3/4"	15	.18
5/16"	2	5.1/4"	30	.31
3/8"	2	6.1/2"	45	.46
7/16"	3	7"	65	.73
1/2"	3	11.1/2"	65	.73
9/16"	3	12"	95	.96
5/8"	3	12"	95	1.00
3/4"	4	18"	130	1.50
7/8"	4	19"	225	2.44
1"	5	26"	225	2.7
1.1/8"	6	34"	225	3.1
1.1/4"	7	44"	360	4.6
1.3/8"	7	44"	360	5.2
1.1/2"	8	54"	360	5.9

* Based on clean, unlubricated threads.

Table above shows minimum torque required to reach maximum holding power of wire rope clip.

KULKONI / *CM MIDLAND* DOMESTIC FITTINGS



MID-GRIP™ (DOUBLE SADDLE) WIRE ROPE CLIPS

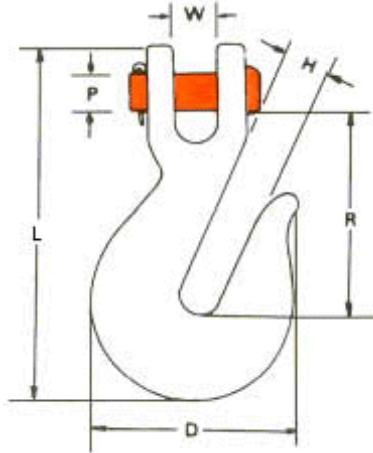
Dimensions (inches)												Min. no. clips	Rope turn-back (in.)	Torque* (ft.lbs.)	Weight per 100 (lbs.)
Size	A	B	C	D	Thd.	F	G	H	L	M	N				
3/16 & 1/4	.28	1.25	.34	.94	3/8-16	.50	1.28	.22	1.56	.69	1.28	2	4	30	21
5/16	.34	1.38	.44	1.06	3/8-16	.63	1.47	.18	1.81	.69	1.41	2	5	30	27
3/8	.41	1.56	.50	1.06	7/16-14	.75	1.81	.25	2.31	.75	1.85	2	5.1/4	45	45
7/16 & 1/2	.50	1.78	.56	1.25	1/2-13	1.00	2.19	.28	2.75	.88	2.06	2	6.1/2	65	65
9/16 & 5/8	.66	2.25	.69	1.50	5/8-11	1.25	2.69	.28	3.31	1.06	2.59	3	12.3/4	130	113

* Based on clean, unlubricated threads.

Table above shows minimum torque required to reach maximum holding power of wire rope clip.



KULKONI / *CM MIDLAND* DOMESTIC FITTINGS



CLEVIS GRAB HOOK - GRADE 43

Hot forged, heat treated and tempered (Clear Finish)

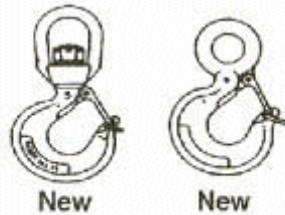
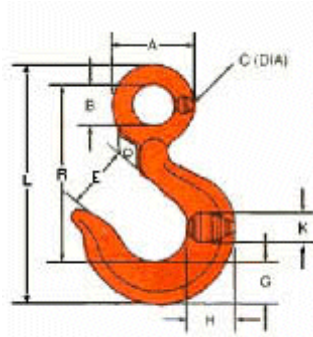
DO NOT USE FOR OVERHEAD LIFTING

Hook Size (in.)	Clevis opening width (in.)	Diameter pin (in.)	Throat Opening of hook (in.)	Reach (in.)	Approx. weight per 100 (lbs.)	Working load limit (lbs.)*
1/4	5/16	5/16	3/8	2	38	2,600
5/16	3/8	3/8	7/16	2.3/8	62	3,900
3/8	7/16	7/16	1/2	2.11/16	96	5,400
1/2	19/32	9/16	21/32	3.23/64	202	9,200
5/8	3/4	11/16	25/32	4	376	11,500

CAUTION: NEVER EXCEED WORKING LOAD LIMITS

* WARNING
DO NOT EXCEED WORKING LOAD LIMIT USE ONLY ALLOY CHAIN WITH COMPATIBLE COMPONENTS FOR OVERHEAD LIFTING

KULKONI / *CM MIDLAND* DOMESTIC FITTINGS



RIGGING EYE HOOK AND LATCH - CARBON - ALLOY (LATCH SEPARATE)

* Alloy Swivel hooks assembled with latch also available

WLL		Dimensions in Inches										Approx weight per 100 (lbs.)
CRG	ALY	A	B	C	D	E	G	H	K	L	R	
3/4	1	1.500	.750	.375	3.000	1.000	.750	.875	.562	4.375	3.125	63
1	1.1/2	1.75	.875	4.38	3.188	1.078	.844	.938	.625	4.938	3.656	85
1.1/2	2	2.125	1.125	.500	3.625	1.125	1.00	1.156	.750	5.594	4.094	138
2	3	2.500	1.25	.625	4.094	1.250	1.125	1.312	.844	6.438	4.688	192
3	5	3.063	1.563	.750	5.063	1.531	1.438	1.625	1.125	7.969	5.781	370
5	7	3.875	2.000	.938	6.500	1.969	1.875	2.063	1.375	10.125	7.313	728
7.1/2	11	4.685	2.441	1.122	7.598	2.244	2.480	2.606	1.850	12.500	9.055	687
11	15	5.354	2.835	1.268	8.700	2.480	2.756	2.917	2.165	13.984	10.039	993
15	22	6.614	3.504	1.555	11.102	3.346	3.228	3.516	2.598	17.126	12.480	1683

Latch is designed to retain such items as slings and chains under slack conditions.
The latch is not intended to support the load. (11 Ton Alloy Hook & Latch are old style)

CAUTION: NEVER EXCEED WORKING LOAD LIMITS

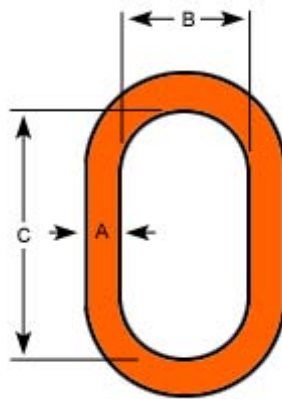


KULKONI / *CM MIDLAND* DOMESTIC FITTINGS



HERC-ALLOY 800 CHAIN ATTACHMENTS PROOF TESTED

CAUTION: NEVER EXCEED WORKING LOAD LIMITS



CM OBLONG MASTER LINK - PROOF TESTED

Link no.	Working Load Limit (lbs.)*	Link size (inches)			Type & size of chain sling on which used.				Weight each (lbs.)
		Diameter material A	Inside width B	Inside length C	Single type S&C	Double type D	Triple Type T	Quad type Q	
HA50	6,100	1/2	2.1/2	5	9/32	9/32	7/32	7/32	.8
HA75	12,300	3/4	2.3/4	5.1/2	3/8	3/8	9/32	9/32	2.1
HA100	20,800	1	3.1/2	7	1/2 or 5/8	1/2	3/8	3/8	4.6
HA125	31,300	1.1/4	4.3/8	8.3/4	3/4	5/8	1/2	1/2	9.2
HA150	49,000	1.1/2	5.1/4	10.1/2	7/8	3/4	5/8	5/8	15.7

*Working load limit of master link only

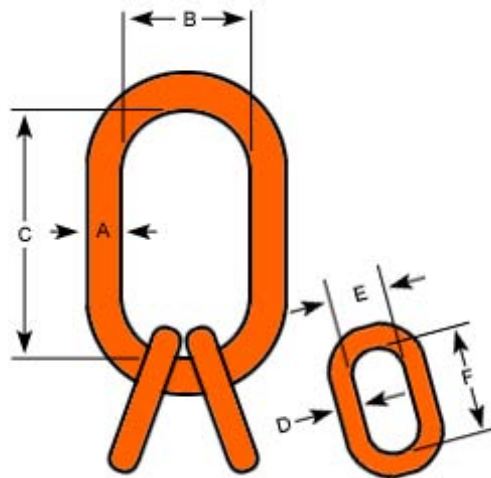
* WARNING
DO NOT EXCEED WORKING LOAD LIMIT USE ONLY ALLOY CHAIN WITH COMPATIBLE COMPONENTS FOR OVERHEAD LIFTING

KULKONI / CM MIDLAND
DOMESTIC FITTINGS



HERC-ALLOY 800 CHAIN ATTACHMENTS
PROOF TESTED

CAUTION: NEVER EXCEED WORKING LOAD LIMITS



CM OBLONG MASTER LINK SUB-ASSEMBLY- PROOF TESTED**

For triple and quad branch chain slings

Sub-assembly number	Oblong master link size (inches)			Master coupling link size (inches)			HA Chain (in)	Weight (lbs)
	A	B	C	D	E	F		
HA75-SA	3/4	2.3/4	5.1/2	15/32	7/8	1.9/16	9/32	2.6
HA100-SA	1	3.1/2	7	21/32	1.1/4	2.1/4	3/8	6.1
HA125-SA	1.1/4	4.3/8	8.3/4	29/32	1.3/4	3.1/8	1/2	13.3
HA150-SA	1.1/2	5.1/4	10.1/2	1.5/32	2.1/4	4	5/8	24.3
HA175-SA	1.3/4	6	12	1.9/32	2.3/8	4.3/8	3/4	36.1
HA200-SA	2	7	14	1.17/32	2.3/4	5.1/4	7/8	57.4
HA225-SA	2.1/4	8	16	1.25/32	3	6	1	83.9

** Consisting of oblong master link and two welded master coupling links.

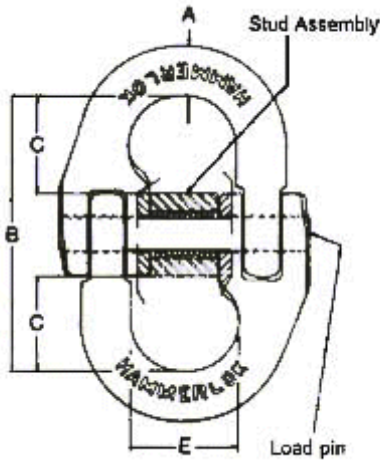


KULKONI / CM MIDLAND DOMESTIC FITTINGS



HERC-ALLOY 800 CHAIN ATTACHMENTS PROOF TESTED

CAUTION: NEVER EXCEED WORKING LOAD LIMITS



CM HAMMERLOK® COUPLING LINK - PROOF TESTED

Chain Size (in.)	Working load limit (lbs.)*	Dimensions (inches)				Max. Width	Diameter hole to accept male leg	Weight each (lbs.)
		A	B	C	E**			
9/32	3,500	5/16	1.13/16	5/8	1/2	1.11/16	35/64	.23
3/8	7,100	1/2	2.13/32	53/64	3/4	2.7/32	47/64	.65
1/2	12,000	11/16	3.3/8	1.7/32	1	3.1/8	59/64	1.5
5/8	18,100	13/16	4.1/16	1.1/2	1.1/4	3.11/16	1.1/16	2.6
3/4	28,300	15/16	4.25/32	1.51/64	1.1/2	4.5/16	1.1/4	3.8
7/8	34,200	1.3/64	5.1/8	1.29/32	1.3/4	5.5/16	1.11/32	6.3
1	47,700	1.1/4	5.3/4	2.3/16	2	6.3/16	1.9/16	9.3
1.1/4	72,300	1.17/32	6.13/16	2.5/8	2.1/4	7.3/4	2	17.3

**Diameter of stock of largest master link intended to be used with Hammerlok.

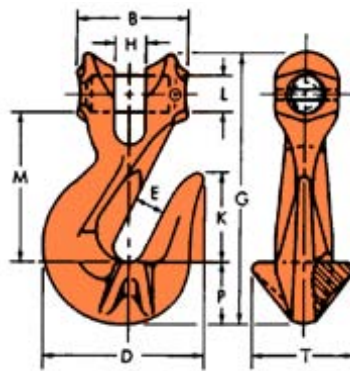
* WARNING
DO NOT EXCEED WORKING LOAD LIMIT USE ONLY ALLOY CHAIN WITH COMPATIBLE COMPONENTS FOR OVERHEAD LIFTING

KULKONI / CM MIDLAND
DOMESTIC FITTINGS



HERC-ALLOY 800 CHAIN ATTACHMENTS
PROOF TESTED

CAUTION: NEVER EXCEED WORKING LOAD LIMITS



CM CLEVLOK® CRADLE GRAB HOOK — PROOF TESTED

Combines CM's unique Cradle Grab design with a simple, dependable clevis device for do-it-yourself hook attachment.

Chain Size		Working load limit (lbs.)*	Dimensions (inches)											Weight
(in.)	(mm)		E		G	H	T	K	L	M	P			
			DIM	TOL.					Pin Dia.					
9/32	7	3,500	B	D	.359	±.016	3.000	.328	1.187	.984	.357	1.625	.718	.46
3/8	10	7,100	1.812	2.562	.468	±.031	4.078	.453	1.750	1.406	.507	2.109	1.062	1.23
1/2	13	12,000	2.156	3.250	.594	±.031	5.266	.593	2.125	1.875	.625	2.875	1.281	2.40
5/8	16	18,100	2.687	4.078	.750	±.031	6.531	.750	2.500	2.375	.750	3.562	1.593	4.17
3/4	20	28,300	3.093	4.906	.875	±.031	7.875	.875	3.125	2.844	1.058	4.250	1.875	7.31

***  WARNING**

DO NOT EXCEED WORKING LOAD LIMIT
USE ONLY ALLOY CHAIN WITH COMPATIBLE
COMPONENTS FOR OVERHEAD LIFTING

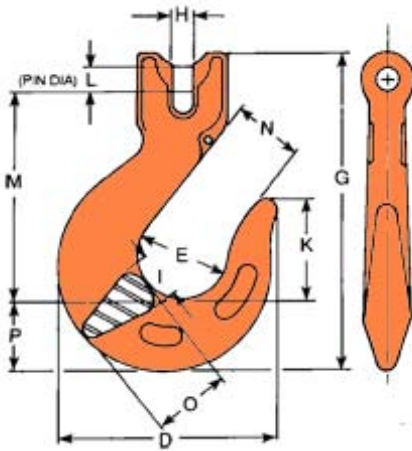


KULKONI / CM MIDLAND DOMESTIC FITTINGS

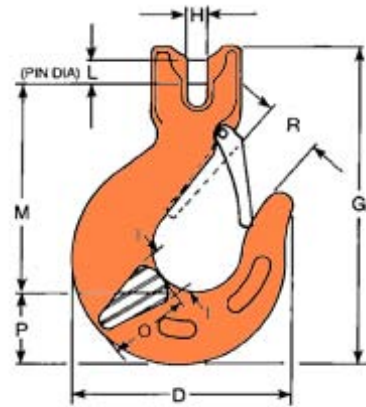


HERC-ALLOY 800 CHAIN ATTACHMENTS PROOF TESTED

CAUTION: NEVER EXCEED WORKING LOAD LIMITS



**CM CLEVLOK®
SLING HOOK
WITHOUT LATCH-
PROOF TESTED**



**CM CLEVLOK®
SLING HOOK
WITH LATCH-
PROOF TESTED**

Chain Size		Working load limit (lbs.)*	Dimensions (Inches)								
(in.)	(mm)		D	G	H	I	L	M	O	P	R
9/32	7	3,500	3.500	5.156	0.328	0.734	0.357	3.437	1.203	1.051	1.062
3/8	10	7,100	4.343	6.672	0.453	0.953	0.507	4.468	1.453	1.281	1.312
1/2	13	12,000	5.500	8.000	0.593	1.172	0.625	5.265	1.938	1.656	1.562
5/8	16	18,100	6.281	9.687	0.750	1.438	0.750	6.078	2.375	2.188	1.750
3/4	20	28,300	7.827	11.688	0.875	1.688	0.906	7.344	2.828	2.563	2.187

*** ⚠ WARNING**

DO NOT EXCEED WORKING LOAD LIMIT
USE ONLY ALLOY CHAIN WITH COMPATIBLE
COMPONENTS FOR OVERHEAD LIFTING