

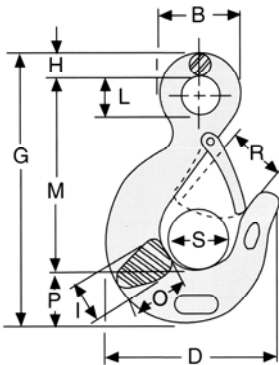
**KULKONI / CM MIDLAND**  
**DOMESTIC FITTINGS**



**HERC-ALLOY 1000 CHAIN ATTACHMENTS**  
 GRADE 100 — PROOF TESTED

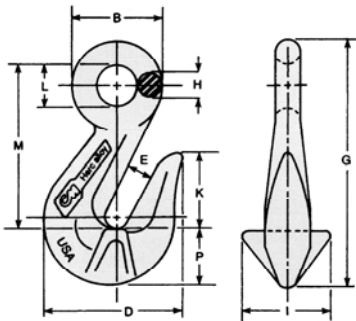
**CAUTION: NEVER EXCEED WORKING LOAD LIMITS**

**CM SLING HOOK WITH LATCH - 100% PROOF TESTED**



Chain Size (in.)	Working Load Limit (lbs.)	Dimensions (inches)										
		B	D	G	H	I	L	M	O	P	R	S
9/32	4,300	1.63	3.50	5.25	.44	.73	.75	3.75	1.20	1.05	1.06	1.06
3/8	8,800	2.06	4.34	6.64	.56	.95	.94	4.78	1.45	1.28	1.31	1.31
1/2	15,000	2.63	5.50	8.16	.75	1.17	1.13	5.69	1.94	1.66	1.56	1.63
5/8	22,600	3.06	6.34	9.66	.88	1.44	1.31	6.50	2.38	2.19	1.75	1.75
3/4	35,300	3.50	7.83	11.38	1.00	1.69	1.50	7.81	2.83	2.51	2.19	2.19

**CM HERC-ALLOY 1000 CRADLE GRABHOOK - 100% PROOF TESTED**  
 Made in U.S.A.



Chain Size (in.)	Working Load Limit (lbs.)	Dimensions										Weight Each (lbs.)
		B	D	E	G	H	I	K	L	M	P	
9/32	4,300	1.38	1.91	.36	3.70	.38	1.06	1.04	.63	2.56	.76	.55
3/8	8,800	1.78	2.66	.47	4.81	.50	1.38	1.49	.78	3.28	1.04	1.39
1/2	15,000	2.28	3.41	.59	6.19	.63	1.81	1.98	1.03	4.22	1.51	3.05
5/8	22,600	2.75	4.41	.75	7.62	.75	2.13	2.39	1.25	5.06	1.80	4.36
3/4	35,300	3.19	5.23	.88	8.99	.88	2.88	3.50	1.44	6.25	1.88	8.82